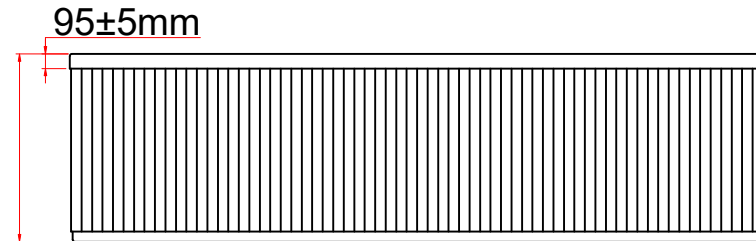
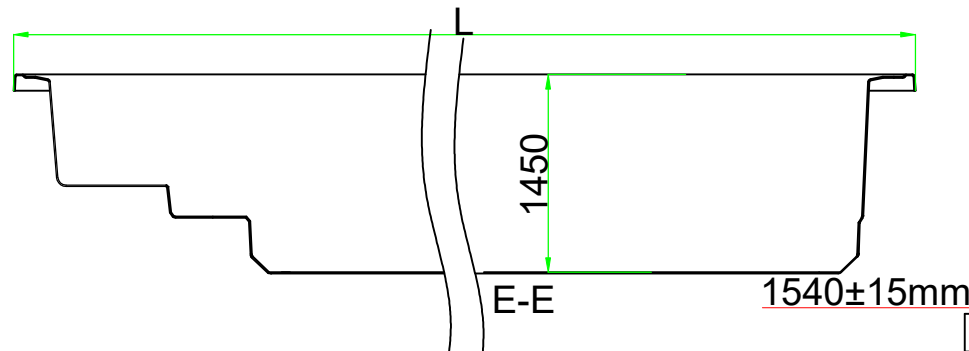
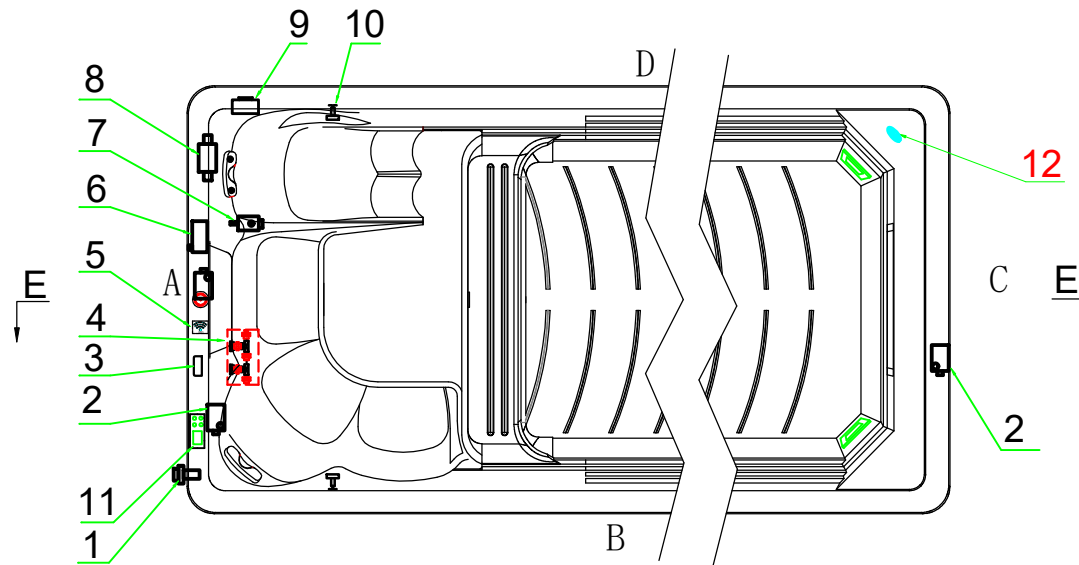


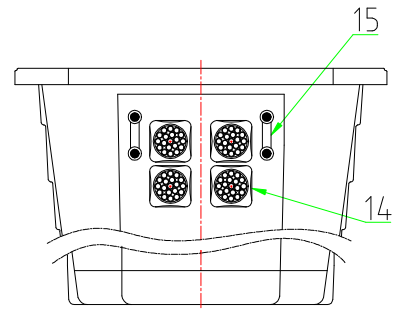
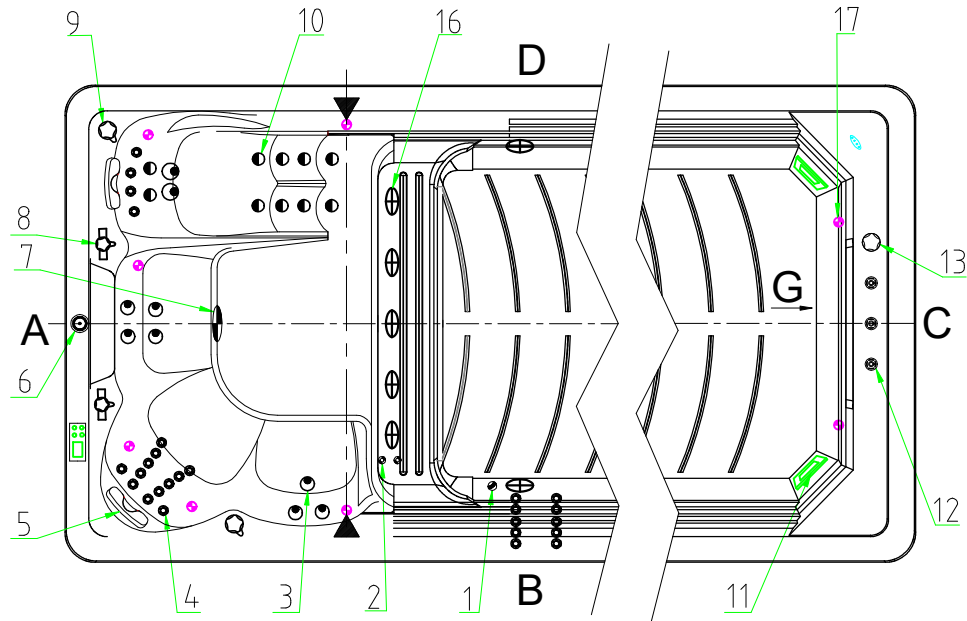
WSAL550-D



Notes: Due to manufacturing tolerances, there could be some minor differences between the actual spa and the drawing above. If site planning is critical to such tolerances, be sure to measure your actual spa. All specifications are subject to change without notice. Some components may be optional on your spa.

12		Subsidiary Control Panel	1	pcs
11		Control Panel	1	pcs
10		Transducer Speaker(Optional)	2	pcs
9		Subwoofer(Optional)	1	pcs
8		Control Box	1	pcs
7		Circulation Pump	1	pcs
6		CD Ozone Generator	1	pcs
5		WiFi	1	pcs
4		Heat Pump Ready Unit(Optional)	1	pcs
3		C.Stream(Optional)	1	pcs
2		3HP Single Speed Pump	3	pcs
1		Drain Valve	1	pcs
NO	ICON	DESCRIPTION	QTY	UNIT
Edition:14/5/2022			TY.02.0131-2	

DESCRIPTION	L
WSAL440	4435
WSAL550	5495
WSAL600	5915
WSAL700	7065
WSAL800	7985

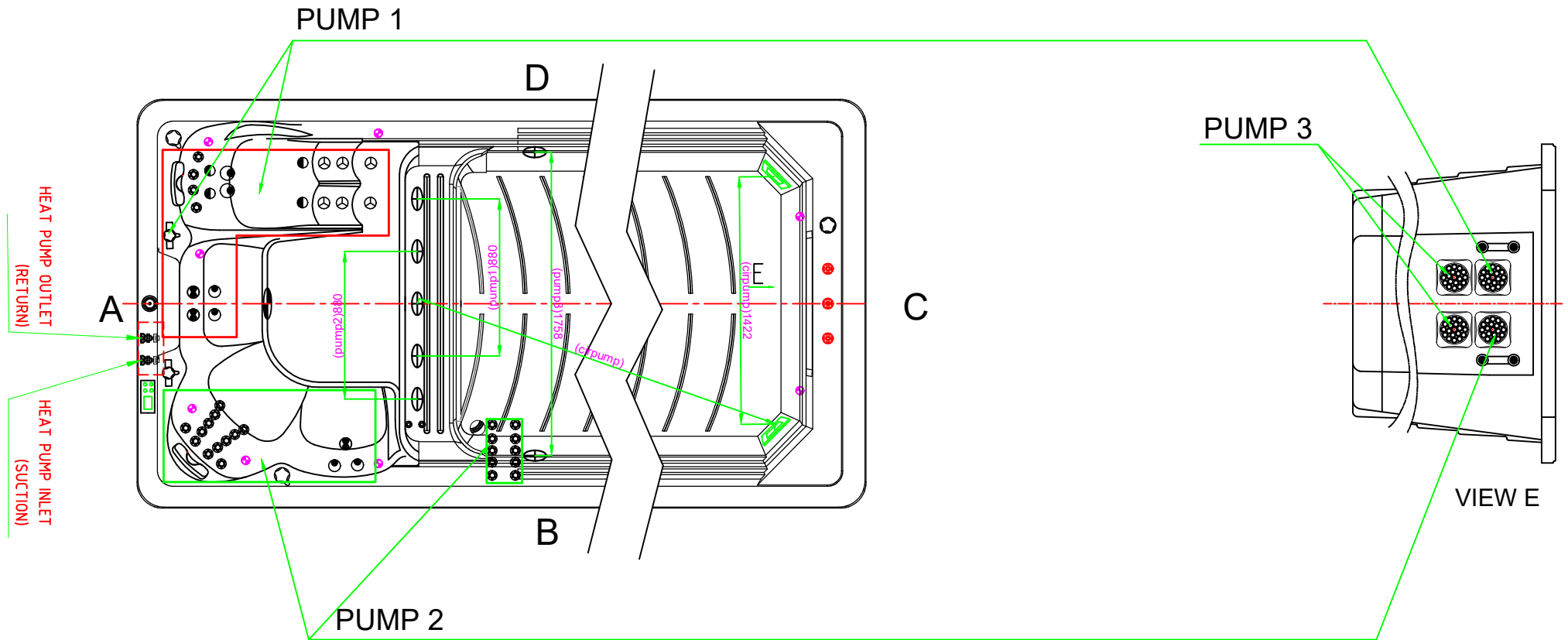


VERSION G

Notes: Due to manufacturing tolerances, there could be some minor differences between the actual spa and the drawing above. If site planning is critical to such tolerances, be sure to measure your actual spa. All specifications are subject to change without notice. Some components may be optional on your spa.

17	●	Perimeter LED	WSAL800	22	pcs	11		Single Cilinder Skimmer	2	pcs
			WSAL700	20		10		3 inch Jet Internal-Single Spin	10	pcs
			WSAL600	18		9		1 inch Air Check Valve Assembly	2	pcs
			WSAL550	16		8		2 inch Water Diverter Valve	2	pcs
			WSAL440	14		7		5 inch Light Housing Without Holder	1	pcs
16		2 inch Suction (Full Set)	7	pcs	5		Headrest	2	pcs	
15		Handrail	2	pcs	4		2.5 inch Jet Internal-Directional	26	pcs	
14		3 inch Turbo Jet	4	pcs	3		4 inch Jet Internal-Single Spin	9	pcs	
13		Fountain Valve	1	pcs	2		Ozone Injector	2	pcs	
12		Lifting Fountain	3	pcs	1		Star-Shape SS Bottom Drain	1	pcs	
NO	ICON	DESCRIPTION	QTY	UNIT	NO	ICON	DESCRIPTION	QTY	UNIT	

Therapy Assignment



Notes: Due to manufacturing tolerances, there could be some minor differences between the actual spa and the drawing above. If site planning is critical to such tolerances, be sure to measure your actual spa. All specifications are subject to change without notice. Some components may be optional on your spa.